

SPECIFICATIONS

D-SUB Connector

Mechanical

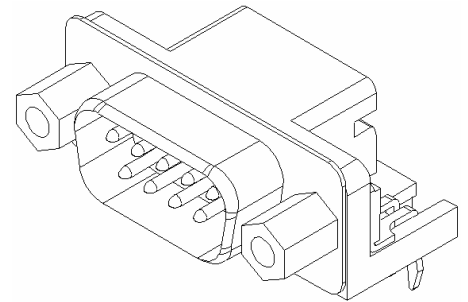
Contact Mating Force: 4.54kgf max.
Contact Unmating Force: 0.34kgf min.
Contact Retention Force: 1.82kgf min.

Electrical

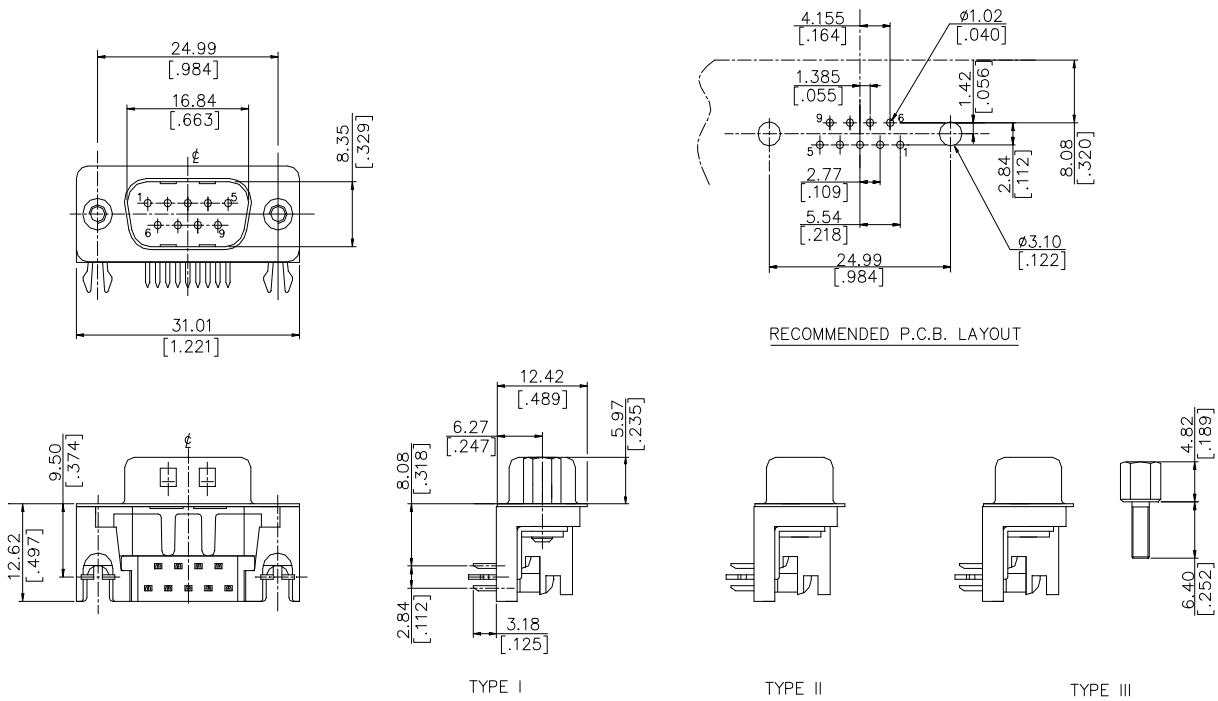
Current Rating: 2.0A
Contact Resistance: 30mΩ max.
Dielectric Withstanding Voltage: 1000V AC/1min min.
Insulation Resistance: 5000MΩ

Physical

Housing: Thermoplastic, UL 94V-0 rated in Teal 322C Color
Contact: Copper alloy
Plating: See "ORDERING INFORMATION"
Solder Pad: Copper alloy
Operating Temperature: -55°C to +125°C



DRAWING



ORDERING INFORMATION

PRODUCT NO.: DT 1 0 1 2 * - M5W* - * F

