

SPECIFICATIONS

Mechanical

Insertion Force: 20N max
Withdrawal Force: 4N min
Durability: 500 Cycles

Electrical

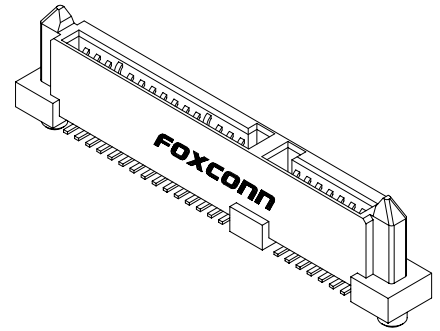
Voltage Rating: 250V.
Current Rating: 1.5A per pin .
Contact Resistance: 30 mΩ max., Δ15 mΩ max. after stress.
Dielectric Withstanding Voltage: 500V AC.
Insulation Resistance: 1000MΩ min.

Physical

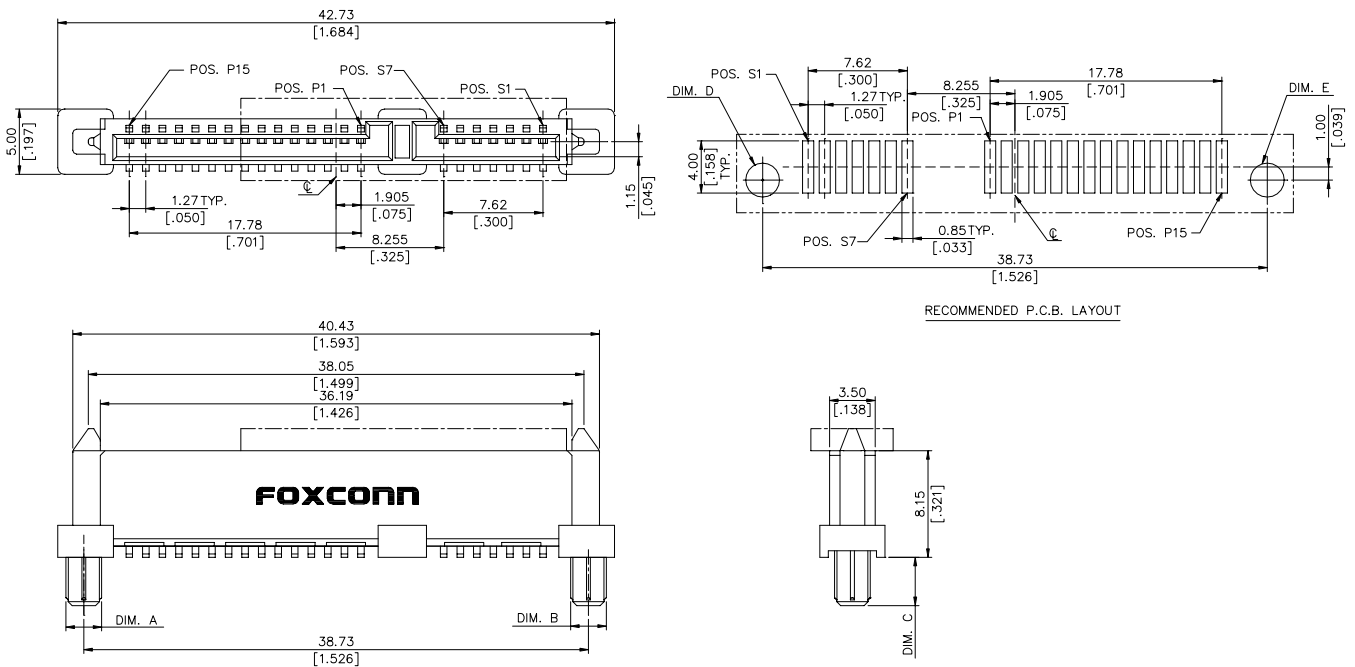
Housing: Thermoplastic, UL 94V-0 rated in black color.
Contact: Copper alloy
Plating: See "ORDERING INFORMATION"
Operating Temperature: -55 to +85

SAS Connector

LD Series
SMT, Vertical Type
Receptacle
1.27mm [.050"] Pitch
22 Pos.



DRAWING



ORDERING INFORMATION

PRODUCT NO. : LD 2 5 22 * - S 0 * * *

- S-ATA Series
- Mating End Type
2 = Receptacle
- Mounting End Type
5=Vertical,SMT
- No. of Pos.
29=29 Pos.
- Packing Type
None=Tray
6=Tape&Reel&Cap
- Material Code
None&L=LCP
- Modification Code
See Figure A
- Outer Shape
0=Standard Type
S-ATA
- Contact Area Plating
F=Gold Flash Plating With RoHS Compliance
H=30u" Gold Plating With RoHS Compliance
V=15u" Gold Plating With RoHS Compliance

PART NO.	DIM. A	DIM. B	DIM. C	DIM. D	DIM. E	ITEM
LD2522*-S01	2.65 [.104]	2.65 [.104]	3.70 [.146]	ø2.60 [ø.102]	ø2.60 [ø.102]	Without Cap
LD2522*-S02	2.60 [.102]	2.30 [.091]	1.10 [.043]	ø2.30 [ø.091]	ø2.60 [ø.102]	Without Cap
LD2522*-S04	2.40 [.095]	2.10 [.083]	0.70 [.028]	ø2.30 [ø.091]	ø2.60 [ø.102]	Without Cap
LD2522*-S04L6	2.40 [.095]	2.10 [.083]	0.70 [.028]	ø2.30 [ø.091]	ø2.60 [ø.102]	With Cap

Figure A