

SPECIFICATIONS

Mechanical

Insertion Force: 20N max.
Withdrawal Force: 4N min.
Durability: 500 Cycles.

Electrical

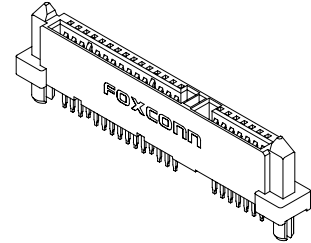
Voltage Rating: 250V.
Current Rating: 1.5A per pin
Contact Resistance: 30 m Ω max. Δ 15 m Ω max. after stress
Dielectric Withstanding Voltage: 500V AC.
Insulation Resistance: 1000M Ω min.

Physical

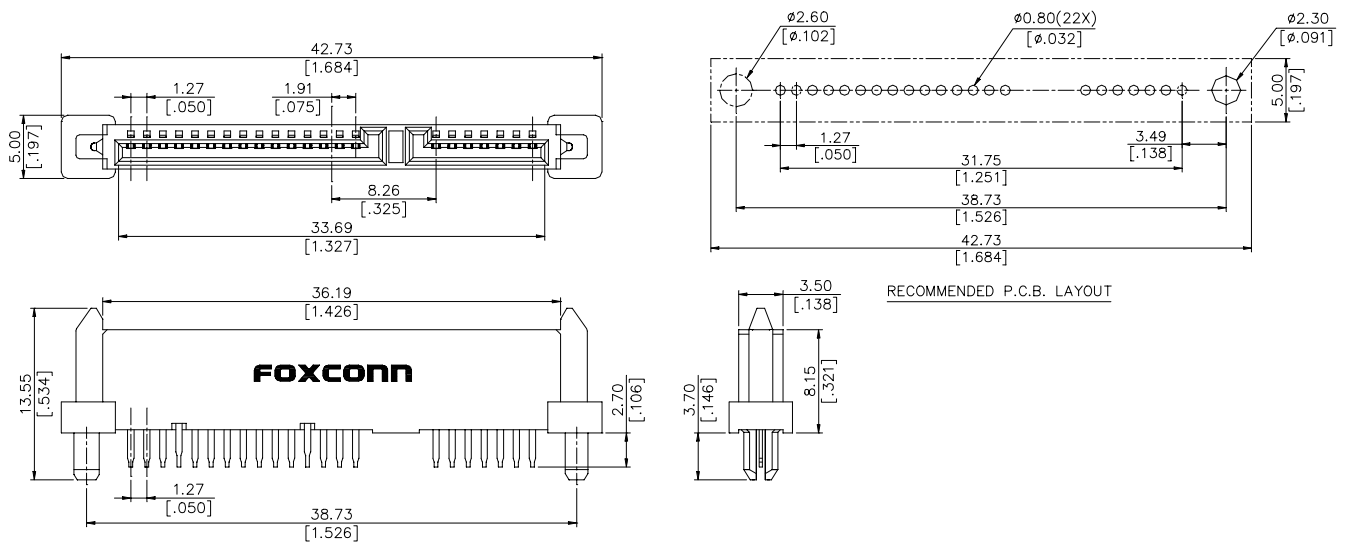
Housing: Thermoplastic, UL 94V-0 rated in Black Color.
Contact: Copper alloy
Plating: See "ORDERING INFORMATION"
Operating Temperature: -55 to +105

S-ATA Connector

LD Series
Vertical Type, T/H
Receptacle
1.27mm [.050"] Pitch
22 Pos.



DRAWING



ORDERING INFORMATION

PRODUCT NO. : LD 2 8 22 * - S 0 4

S-ATA Series	LD	Modification Code	*
Mating End Type 2=Receptacle	2	Outer Shape 0=Standard Type	0
Mounting End Type 8 = T/H, VERTICAL	8	S-ATA Specification S=S-ATA	S
No. of Pos. 22=22 Pos.	22	Contact Area Plating F=Gold Flash With RoHS COMPLIANCE H=30u" Gold With RoHS COMPLIANCE V=15u" Gold With RoHS COMPLIANCE	4